

Front Loading Washing Machines.

'LM' Range

Automatic Time, Temperature & Level Control. 30, 60 & 120 kg. Capacity.



All Stainless Steel.



Front, inner cylinder, loading door, outer drum & chemical dispenser all in S.S. Electrically interlocked door stops the machine when opened. Hot painted structure frame. Front & back service. Requires little space on sides. **Long Rust Free Life.**

Electrical Control Panel.

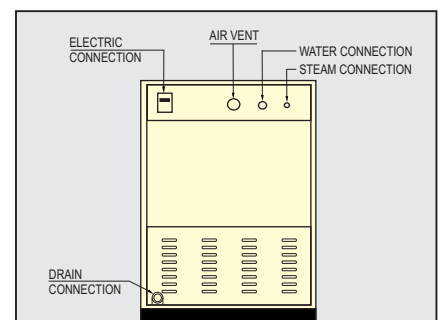
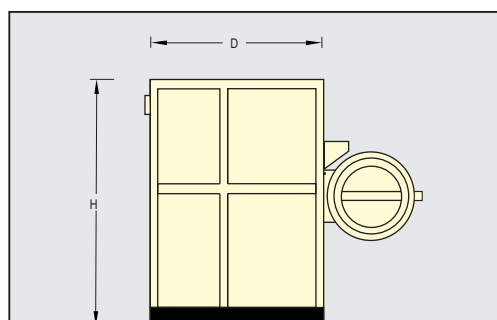
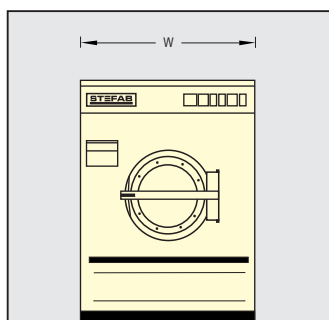


Mounted on top front. Individual controls for automatic time of wash, rinse & low spin extract. Auto reverse. Automatic digital temperature control. Automatic 3 water level control. Solenoid operated water & steam valves. **Simple to operate.**

Motorized Drain Valve.



"Non Clog Full Clear Port" motorized drain valve flushes all the lint during drain. Easily accessible electric motor is splash proof. Manual lever to activate drain in case of motor failure. **Fail safe, rust free operation through out its life.**



Model LMS-Steam Heated • LME-Electric Heated

MODEL	CAPACITY dry weight per charge	VOLUME	WASH MOTOR	WASH SPEED	LOADING DOOR OPENING	WATER CONNECTION CONSUMPTION	DRAIN	HEATING		DIMENSIONS W x D x H	NET WT / CRATED WT CRATED SIZE: WxDxH CRATED VOLUME
								STEAM CONN. STEAM CONSUMP.	ELECTRIC LOAD		
LMS 30 LME 30	1: 9 = 35kg 1:10 = 30kg	318 Ltrs	0.75 KW	33 RPM	Ø 500	Ø25 (1" BSP) 300 Ltrs / cycle	Ø 65	LMS 30 Ø15 (0.5" BSP) 30 Kg / cycle	LME30 12-18 KW	1050 x 1200 x 1600	750 Kg / 870 Kg 1350 x 1500 x 1900 3.84 M ³
LMS 60 LME 60	1: 9 = 68kg 1:10 = 60kg	617 Ltrs	2.2 KW	33 RPM	Ø 650	Ø38 (1.5" BSP) 600 Ltrs / cycle	Ø 65	LMS 60 Ø15 (0.5" BSP) 60 Kg / cycle	LME 60 18-24 KW	1300 x 1450 x 1800	910 Kg / 1060 Kg 1600 x 1750 x 2100 5.88 M ³
LMS 120	1: 9 = 135kg 1:10 = 120kg	1216 Ltrs	3.75 KW	26 RPM	Ø 800	Ø50 (2" BSP) 1200 Ltrs / cycle	Ø 65	LMS 120 Ø25 (1" BSP) 120 Kg / cycle	-	1550 x 1900 x 2000	1460 Kg / 1710 Kg 1850 x 2200 x 2300 9.36 M ³

CONSUMPTION & ELECTRIC LOAD ARE PRIMARILY FOR THE PURPOSE OF DESIGNING UTILITIES. IMAGES DO NOT ALWAYS SHOW THE OFFERED MACHINE.
ALL DIMENSIONS ARE IN MM. STANDARD MACHINES OPERATE ON 415V ±5%, 3 PHASE, 50Hz, AC ELECTRIC SUPPLY. SPECIFICATIONS MENTIONED ABOVE ARE SUBJECT TO CHANGE WITHOUT NOTICE.

